



# America

Panorama® technology  
dedicated to ice cream

Design Marc Sadler

Gelato

## Welcome to America

**America** was created to offer all the advantages of Panorama® technology also to the ice cream market: excellent gelato preservation and visibility. A solution designed to be equipped tubs calibrated to the "gallon" unit of measure.

## Perfection is in the details

Every element of America is designed to offer a superior finish and maximum attention to detail.

- Panorama® technology for tubs calibrated for gallons.
- On-board or remote **condensing unit**.
- Available in a **free-standing** or **built-in** version.
- 4 **wheels** perfectly integrated into the structure.
- **Display surface** tilted at 9 degrees (free-standing version).
- Possibility for 1 or 2 **operating temper.**
- **LED lighting** between the front panel and plinth.

## Freshly made

Perfectly preserves the flavour, appeal and properties of the food.

- Excellent **preservation** performance.
- **Different temperatures** for different products.
- Perfect **insulation** with double glazed doors and hermetic and servo-assisted closure.

# General features

The America display case has been designed to hold two rows of gelato containers calibrated to the **gallon** unit of measure, and the refrigeration system has been enhanced to reach an operating temperature of -24°C.

The **supporting structure** of America is made of galvanised tubular metal.

The **external cladding**, front panel and sides are in galvanised metal with RAL 9010 matt white epoxy powder coating. On request, LED lighting is available between the front panel and plinth, as well as a kit with 4 hidden wheels for easy handling and movement.

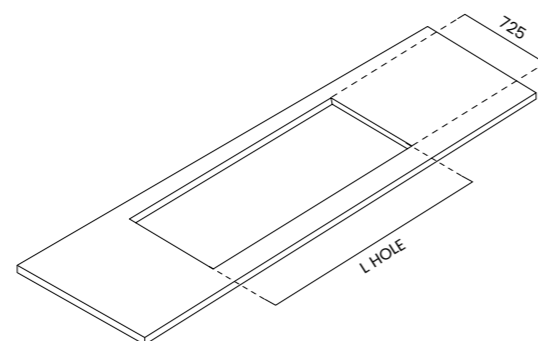
The display **surface** is tilted at 9 degrees to optimise the visibility of gelato, and is fitted with a perimeter frame with LED lighting and food-grade PVC seal for hermetic closure of the upper glass. Each section of America can house 4 containers in gallons arranged in two rows, with the 2 relative support elements (containers and supports not supplied).

The **refrigeration** is ventilated with on-board or remote condensing unit and defrosting is carried out manually by shutting down the system. For maximum service flexibility, it is possible to choose between a single or double temperature. The rear ventilation grille is removable for easy access to the motor compartment. America is available with one level only. In the built-in version the perimeter frame is in 10 mm (0.39") thick Scotch-Brite stainless steel. Installation is simplified and involves the direct insertion of the tank into the cut-out on the work surface.



## Built-in installation

Measurements of cut-outs on customer work surface for America built-in tank  
 L HOLE = measurements in mm of cut-outs to make on the customer's work surface  
 L MODULE = external measurements in mm of the stainless steel surface of America  
 Kg = weight of the tank including tubs and gelato



L HOLE	L MODULE	Kg
710 mm	760 (4 car.)	75
1300 mm	1350 (4+4 car.)	135
1890 mm	1940 (8+4 car.)	195
2480 mm	2530 (12+4 car.)	255
3070 mm	3120 (16+4 car.)	315

# America

Gelato

## Data sheet

For more product information [click here](#)

### > CLIMATIC CLASS 7

| Gelato +35°C - 75% U.R.

### > SERVICES

| Gelato -24°C

### > SIZE

mm (inches)  
 H 957 (37,67") H 823 (32,40") customer side  
 L 761 (29,96") 4 holes/1351 (53,19") 8 holes/  
 1941 (76,41") 12 holes/2531 (99,65") 16 holes  
 P 854 (33,62)

### > ENERGY CLASS

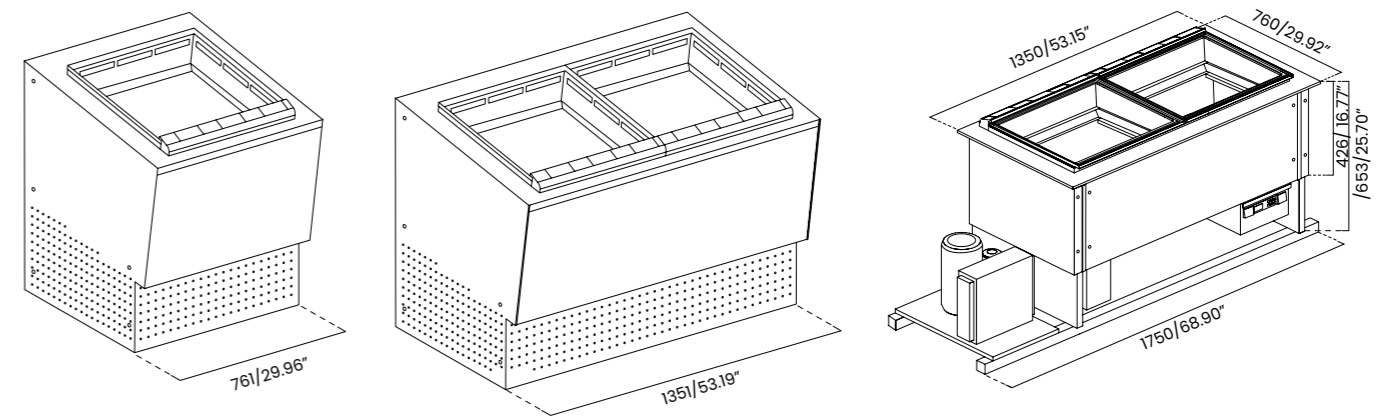
| [click here](#)

### > FINISHING



### > TECHNICAL DRAWINGS

#### BUILT-IN INSTALLATION



#### GALLON CONTAINERS AND SUPPORT (NOT INCLUDED)

